

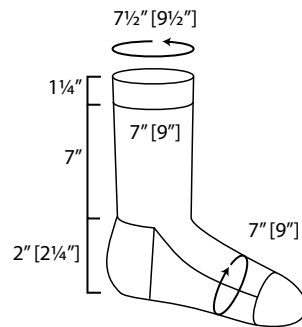
Sock Knitters Anonymous

May 2010 Mystery Sock Clue #1

by

Abbreviations

k	knit
p	purl
ssk	slip 2 stitches knitwise individually, Insert left needle into the front loops of the slipped stitches and knit them together from this position through the back loops
k2tog	knit 2 together
p2tog	purl 2 together



Notes

Right and left socks are mirror images of each other and have corresponding charts. Use the appropriate chart for the section (Cable Rib, Cable Pattern, Top of Foot) and sock (Left or Right).

Pattern calls for markers. Markers are not necessary and placements can be marked by needle placements instead.

Cuff - Cable Rib

Cast on 60 [80] stitches. Being careful not to twist, join for working in the round. Work Cable Rib chart.

Sizes

S [L]

Yarn

100% superwash wool
Fingering weight
350-500 yards

Needles

US Size 1.5 / 2.5mm
or size needed to obtain gauge

Notions

Cable needle, tapestry needle

Gauge

In stockinette:
8 stitches and 11 rows per inch

In cable rib:
8.5 stitches and 11 rows per inch

In cable pattern:
9 stitches and 11 rows per inch

Sizing Note

For an 8" circumference sock, work size S at 7 stitches per inch or size L at 9 stitches per inch.

Cable Rib - Left Sock
10 stitches

--	--	--	--	--	--	--	--	--	--	--	15
--	--	⊗			⊗						14
--	--	⊗		⊗							13
--	--	⊗		⊗							12
--	--	⊗		⊗							11
--	--	⊗		⊗							10
--	--	⊗		⊗							9
--	--	⊗		⊗							8
--	--	⊗		⊗							7
--	--	⊗		⊗							6
--	--	⊗		⊗							5
--	--	⊗		⊗							4
--	--	⊗		⊗							3
--	--	⊗		⊗							2
--	--	⊗		⊗							1

Cable Rib - Right Sock
10 stitches

--	--	--	--	--	--	--	--	--	--	--	15
--	--	⊗			⊗						14
--	--	⊗		⊗							13
--	--	⊗		⊗							12
--	--	⊗		⊗							11
--	--	⊗		⊗							10
--	--	⊗		⊗							9
--	--	⊗		⊗							8
--	--	⊗		⊗							7
--	--	⊗		⊗							6
--	--	⊗		⊗							5
--	--	⊗		⊗							4
--	--	⊗		⊗							3
--	--	⊗		⊗							2
--	--	⊗		⊗							1

- knit
- knit tbl
- purl
- slip 1 to cable needle and hold to front, k1 from left needle, k1 tbl from cable needle
- slip 1 to cable needle and hold to back, k1 tbl from left needle, k1 from cable needle
- slip 1 to cable needle and hold to front, k1 tbl from left needle, k1 tbl from cable needle
- slip 1 to cable needle and hold to back, k1 tbl from left needle, k1 tbl from cable needle
- repeat